



NEW!! Amana 7500

ON STYLE AND ON BUDGET, NOW THAT'S CLEVER!

Merlot

Deep, rich color with high end chrome ring and accents



NFW7500VW/M / NE/GD7500VW/M



Efficiency

Use 70% less water and 70% less energy



1050 RPM spin speed removes extra moisture and reduces drying time



4.1 Capacity in the washer allows you to run fewer loads and save water and energy

NSF Certified to kill infectious bacteria*



Washer

4.1 Capacity
1050 RPM
9 Cycles
5 Temps
Tier 2
Chrome Ring
Chrome Buttons

Dryer

7.2 Capacity
9 Cycles
6 Temps
Chrome Ring
Chrome Buttons

Worksurface: WW29000SW
Storage Tower: WVP9000SW



15" Pedestal: XHP1550VW

Now Available



NEW!! Amana 7500

Product Specifications

FRONT LOAD WASHER	Matador 2 Platform
	Amana
New Model Number	NFW7500VW/M
Capacity (Cu.Ft. IEC)	4.1
Heating control	Yes
Spin speed (claimed)	1050 RPM
Detergent dispenser	3 chambers
Dispenser smooth opening	Current
Table top finish	Painted
Number of cycles	9 + Custom Cycle + soak
	Sanitary
	Whitest Whites
	Heavy Duty
	Normal/Casual
	Quick Wash
	Handwash/Delicate
	Soak
	Custom Cycle
	<i>Clean Washer</i>
	Rinse/Drain & Spin
Soil Levels	3
Temperatures	5
Spin speeds	5 - No extra high spin
Start Delay (freq. Models)	14 hours
	White & Merlot
Voltage	120V
Frequency	60 Hz
Intensity	10 Amp
MANUF LOCATION	Schorndorf

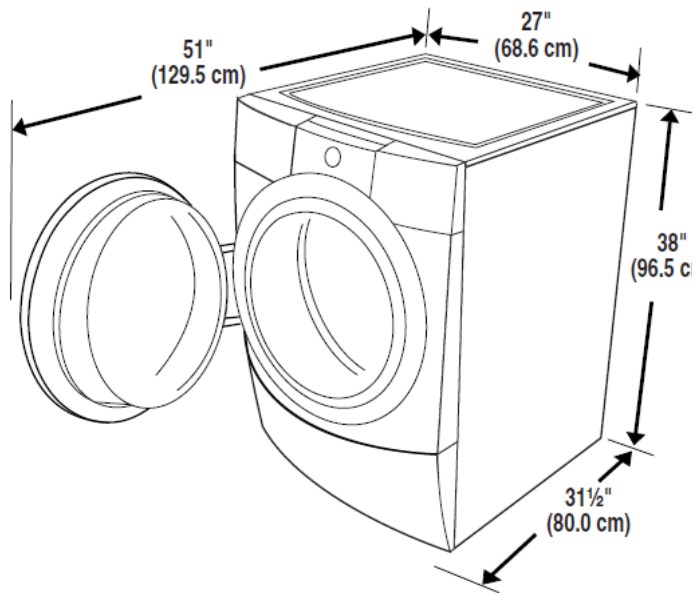
FRONT LOAD DRYER	Matador 2 Platform
	Amana
New Model Number	NE/GD7500VW/M
Capacity (Cu.Ft. IEC)	7.2
Venting	4 way
Drum light while running	Yes
Drum light exterior button	Yes
Auto Turn off time (door open or)	Yes
Drum material	Powder coated
Table top finish	Painted
VBL Door	New Hinge + New Door
Door Ring	Chrome
Central Console Treatment	Pad Printed Plastic
Right Console Treatment	Instructional LED's
Buttons	Chrome
Button Light Rings	Yes
Door Screen	Cool Haze
Knob	Central Knob ON/Off w/ Chrome Ring
Audio Feedback	Chimes
Feedback mechanism	7 segment + LED (options) w/ white
Drum light Switch	Yes
Number of cycles	9
	Heavy Duty
	Denim
	Normal
	Casual
	Delicate
	Air Fluff
	Quick Dry
	Touch up
(Frequency models)	Timed Dry (90 min.)
Wrinkle Prevent	Wrinkle Prevent
Temperature controls	6
Drying levels	3
EOC signal	Adjustable - Loud/Soft/Off
Sound Volume	Adjustable
	White & Merlot
MANUF LOCATION	Marion
PROD DATE	Dec-08
HEATER ELEMENT	5400 W
GAS BTU	20,000



NEW!! Amana 7500

Product Dimensions

Washer Dimensions



Dryer Dimensions

